

Figure 13.4: The distances to the near and far planes are measured along the look direction.

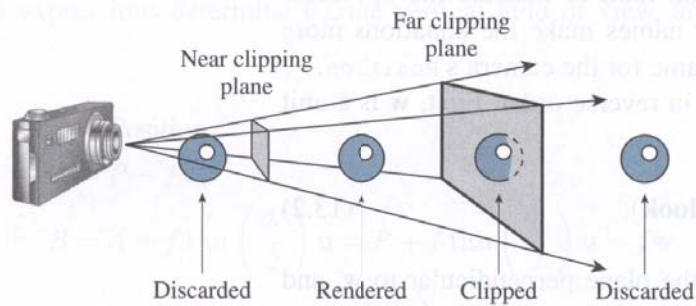


Figure 13.5: Objects outside the view frustum will not be rendered.

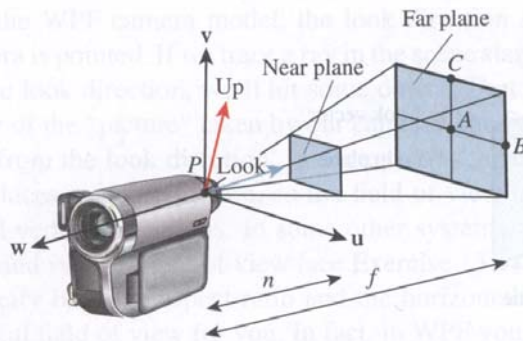


Figure 13.6: The uvw frame for a camera, the **look** and **vup** vectors, and the points P , A , B , and C .

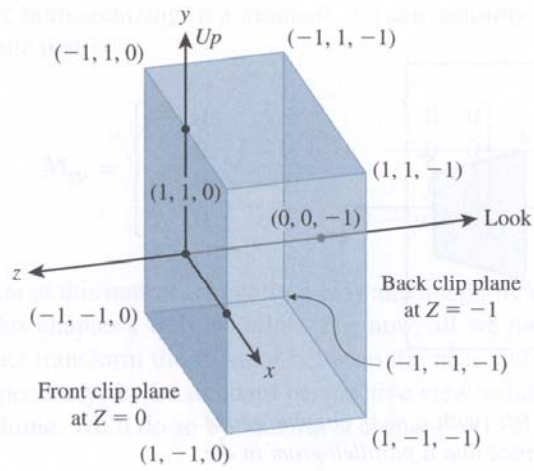


Figure 13.8: The standard parallel view volume.

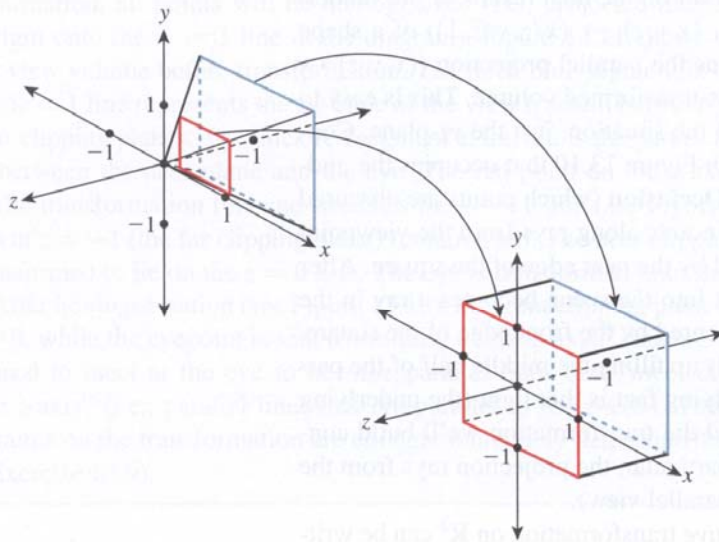


Figure 13.9: The unHINGING transformation.

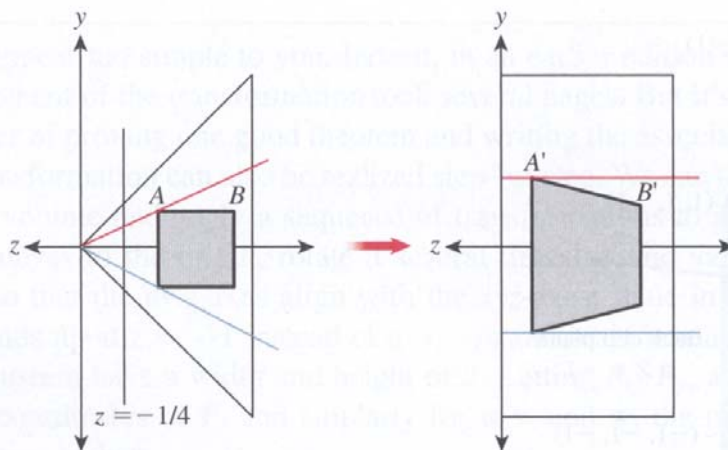


Figure 13.10: The standard perspective view volume at left (with a near clipping plane at $z = -1/4$) contains a small square, which is transformed into a parallelogram in the parallel view volume at right.

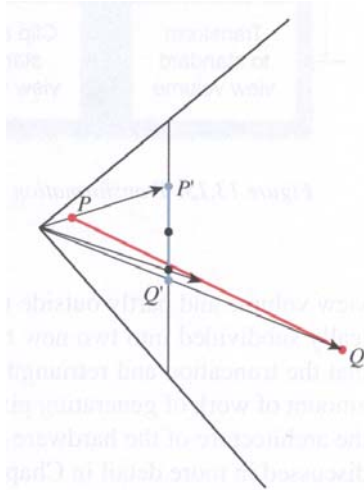


Figure 13.17: The projection of the midpoint of PQ is not the same as the midpoint of the segment $P'Q'$.

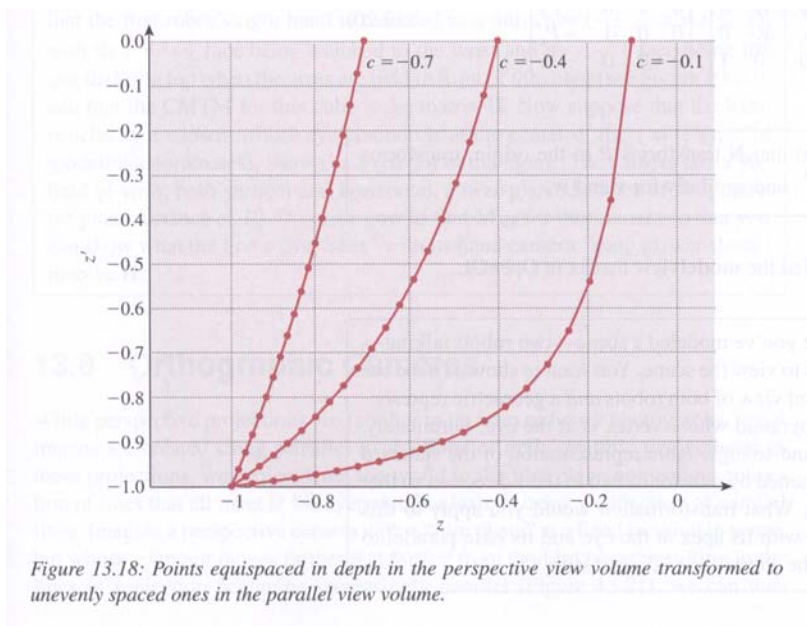


Figure 13.18: Points equispaced in depth in the perspective view volume transformed to unevenly spaced ones in the parallel view volume.